



YouTube

Scan and see more!

PO500N



CAPACITY:	5000 kg
POWER SUPPLY:	400V/50Hz
MOTOR POWER:	2,2 kW
TOTAL HEIGHT:	2144 mm
LIFTING HEIGHT:	1900 mm
CLEARANCE:	3136 mm
PLATFORMS:	500x5105 mm
NOISE LEVEL:	<70 dB (A)
WEIGHT:	1600 kg

STANDARD EQUIPMENT

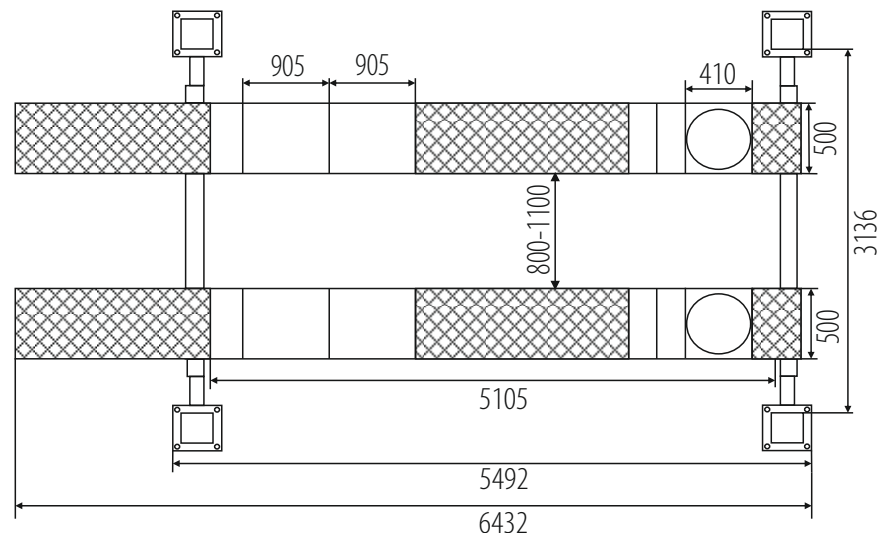
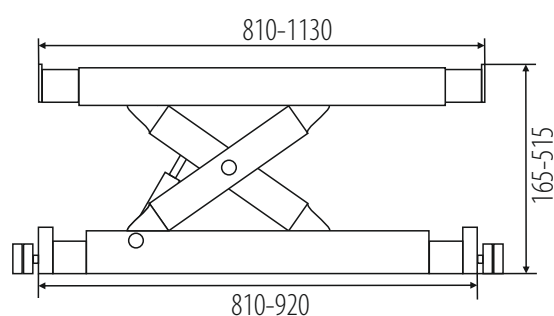
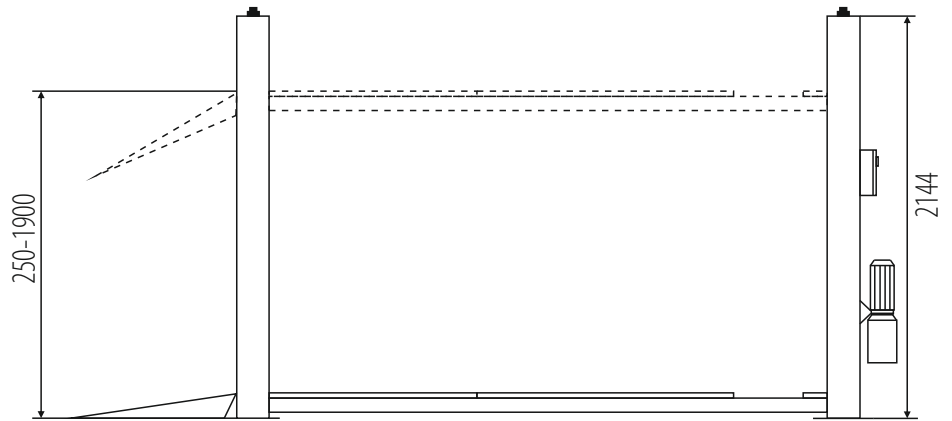


REAR SPLIT PLATES

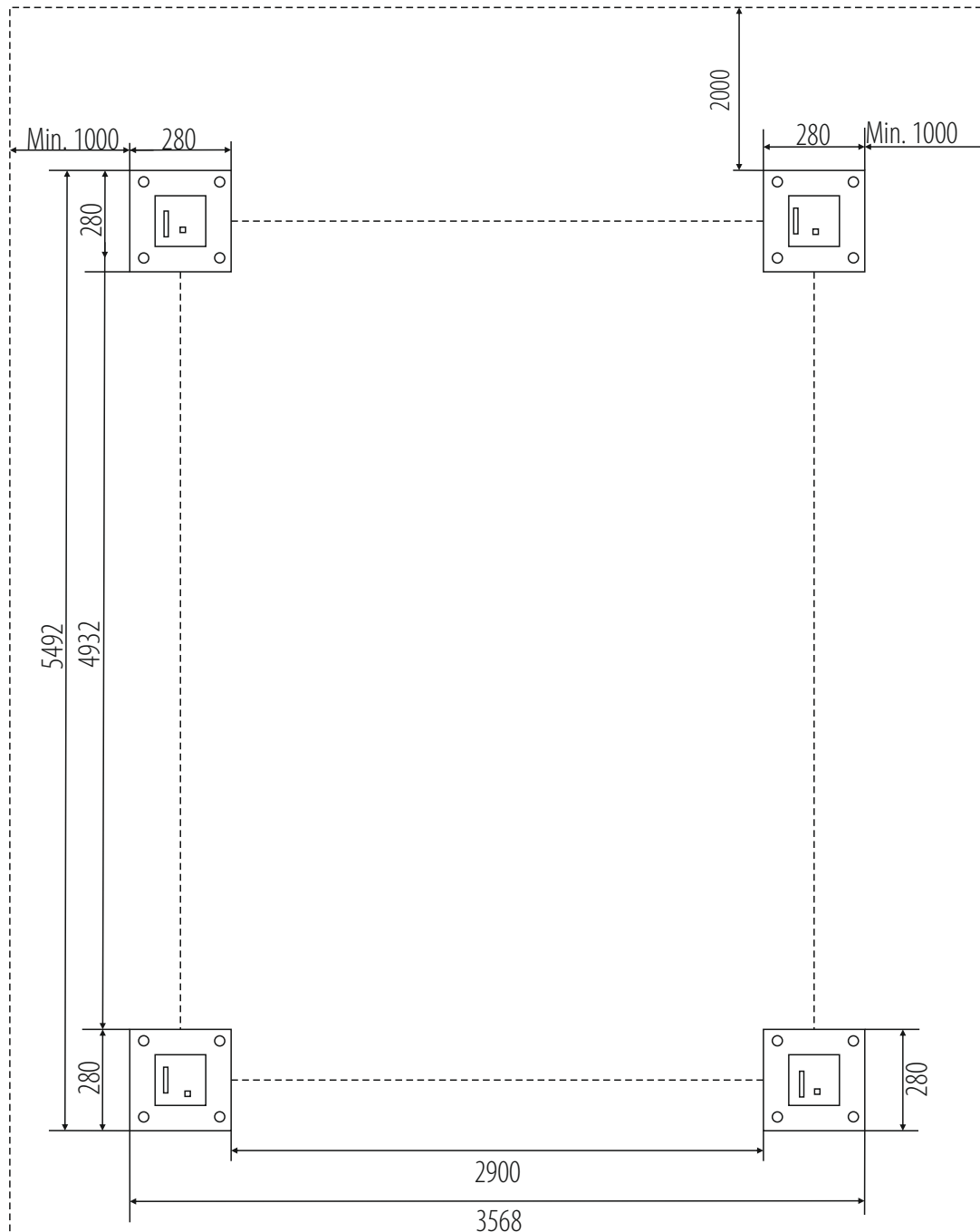


2.5T AXLE JACK WITH MANUAL HYDRAULIC PUMP

Electrohydraulic lift for wheel alignment ♦ platforms with space for turntables and discharge plates with **length 1810 mm** ♦ **mechanical height lock released manually** ♦ regulated one platform position ♦ perfectly protected hydraulic actuator ♦ galvanised ropes with preliminary stretching ♦ rope wheels with a large diameter ♦ the lift lock in case of loosening or rope breakag ♦ **lift steering with safe voltage 24V** ♦ safety devices in compliance with the norm EN1493:2010



P0500N



INSTALLATION REQUIREMENTS:



Concrete class: B25 or C20 / 25 with a minimum mounting area: 5992x4068x300mm ♦ Acceptable floor imbalance: +/- 5mm, floor execution: 3 weeks before assembly ♦ Mounting anchors: mechanical M12 / 150 mm 16 pieces or chemical M16 / 250mm ♦ Hydraulic oil: HL32, 18.0l ♦ Power supply: 5x2.5mm cable to the place of assembly ♦ Pneumatic supply: dry and lubricant air, min. 6 bar (max. 8 bar) ♦ Current protection: min. 32A with 3-phase 400V / 50Hz power supply.

Installation allowed only in closed areas ♦ prohibition of using reinforcement 20 cm from the top thicker than 4mm² ♦ assembly for chemical anchors for an additional fee (submit in advance, preferably when setting the date of assembly) ♦ All connections, with particular reference to electrical connections, they must be made by authorized persons ♦ The installation must remain carried out by qualified personnel according to the rules attached in this building plan ♦ In the case of assembly by Nortec or its authorized service center, the lift must be on solid ground.