

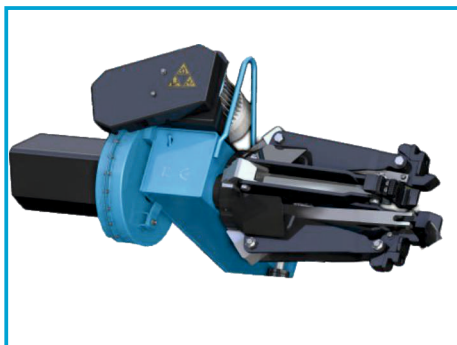
MC705



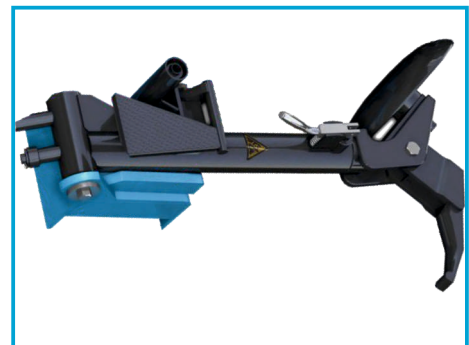
POWER SUPPLY:	400V/50Hz, 3 phase
SPINDLE'S MOTOR POWER:	1,3 kW / 1,8 kW
PUMP'S MOTOR POWER:	1,1 kW
WORKING PRESSURE:	130 bar ± 10%
MAX. RIM DIAMETER:	14" - 56"
MAX. WHEEL DIAMETER:	2300 mm
MAX. WHEEL WIDTH:	1065 mm
MAX. WHEEL WEIGHT:	1500 kg
NOISE LEVEL:	<70 dB
WEIGHT:	770 kg
SIZE OF THE PACKAGE:	175x211x105 cm

4-jaw self-centering gripper ♦ mobile wired control unit ♦ two speeds of gripper rotation ♦ designed for mounting and dismounting of tubeless and tubeless tires ♦ for truck wheels, buses, agricultural and construction machines ♦ plate breaker and claw placed on a rotating head allowing for a quick tool change ♦ specially profiled plate breaker allows for efficient disassembly of the tire without risk of damage ♦ mobile platform for quick and precise wheel alignment ♦ safe control voltage (24V) eliminates the risk electric shock ♦ controlling the device from a mobile column ♦ floor supporting structure.

STANDARD EQUIPMENT



POWERFUL MOUNTING JAWS



BEAD BRAKER AND CLAW ON A ROTATING HEAD



4X PADS FOR THE JAWS FOR ALUMINUM RIMS (OPTIONAL)



MOBILE WIRED CONTROL UNIT