

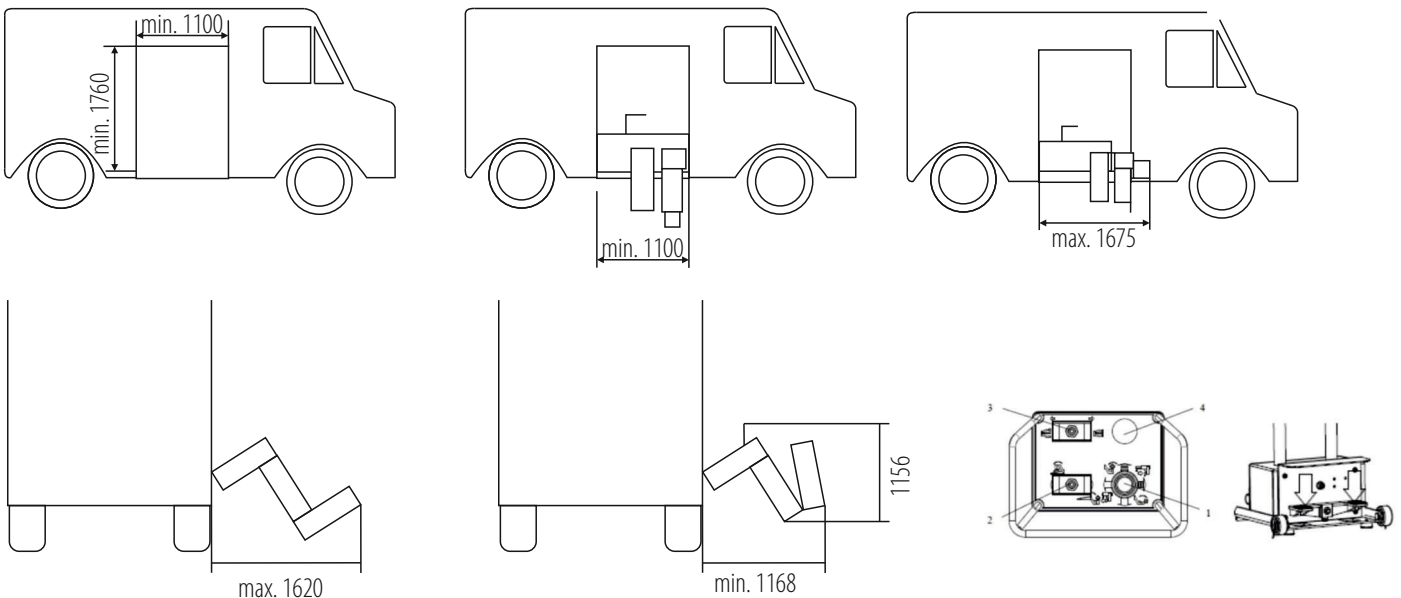
MC605M



POWER SUPPLY:	400V/50Hz, 3 phase
SPINDLE'S MOTOR POWER:	1,5 kW
PUMP'S MOTOR POWER:	1,1 kW
WORKING PRESSURE:	130 bar \pm 10%
MAX. RIM DIAMETER:	13" - 26"
MAX. WHEEL DIAMETER:	1300 mm
MAX. WHEEL WIDTH:	600 mm
MAX. WHEEL WEIGHT:	750 kg
NOISE LEVEL:	<70 dB
WEIGHT:	450 kg
SIZE OF THE PACKAGE:	110x116x150 cm

Mobile electrohydraulic assembly ♦ mobile wired control unit mounting on a van ♦ 4-jaw self-centering gripper ♦ knocking roll and claw included ♦ compact dimensions of the device

ASSEMBLY REQUIERMENTS



REQUIRED: electric power **generator 400V/50Hz**
 max. assembly height from the floor: 770mm
 need of fixing to the truck floor using at least 4 screws
 assembly possible from the side or the back of a truck
 electrical hedge: 16A

STERING

1. up/down - move the spindle
2. assembly/disassembly of the device
3. open/close the spindle
4. safety switch
5. pedals controlling rotation of the spindle