

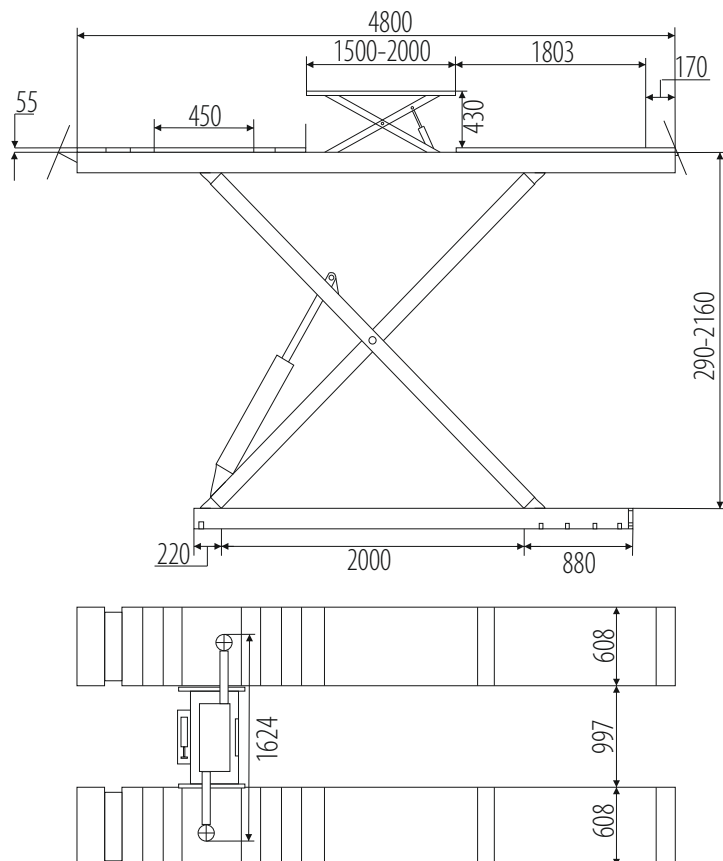
# PN400GPB



\*REVIEW PICTURE.

CAPACITY:	4000 kg
POWER SUPPLY:	400V/50Hz
PNEUMATIC SUPPLY:	8 bar max.
MOTOR POWER:	2,6kW
LIFTING HEIGHT:	290-2160 mm
PLATFORMS:	608 x 4800 mm
NOISE LEVEL:	<70 dB (A)
WEIGHT:	2510 kg

Electrohydraulic lift for wheel alignments ♦ electrohydraulic axle jacks  
 ♦ pneumatically released height lock ♦ long expansion plates, recesses under turntables ♦ lift designed for mounting in a moat or on the floor (after ordering optional invasions) ♦ mechanical, pneumatically releasable height lock, photocell synchronization control ♦ safe control of the lift 24V from the level of the external control box ♦ hydraulic safety devices in the event of a sudden oil leak or overload ♦ extreme and safe sensor platform locations ♦ sound signal of the final descent phase.

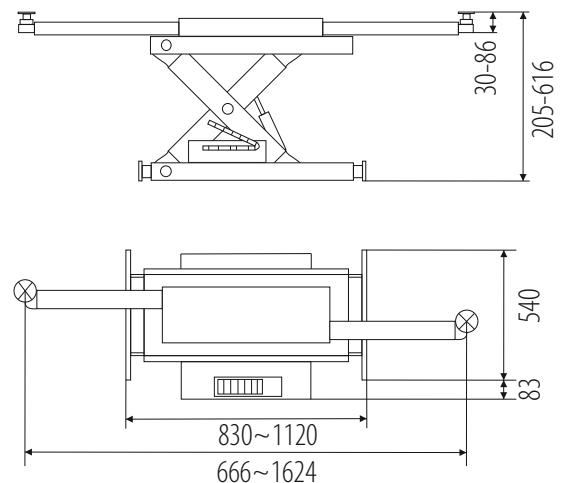


## OPTIONAL EQUIPMENT

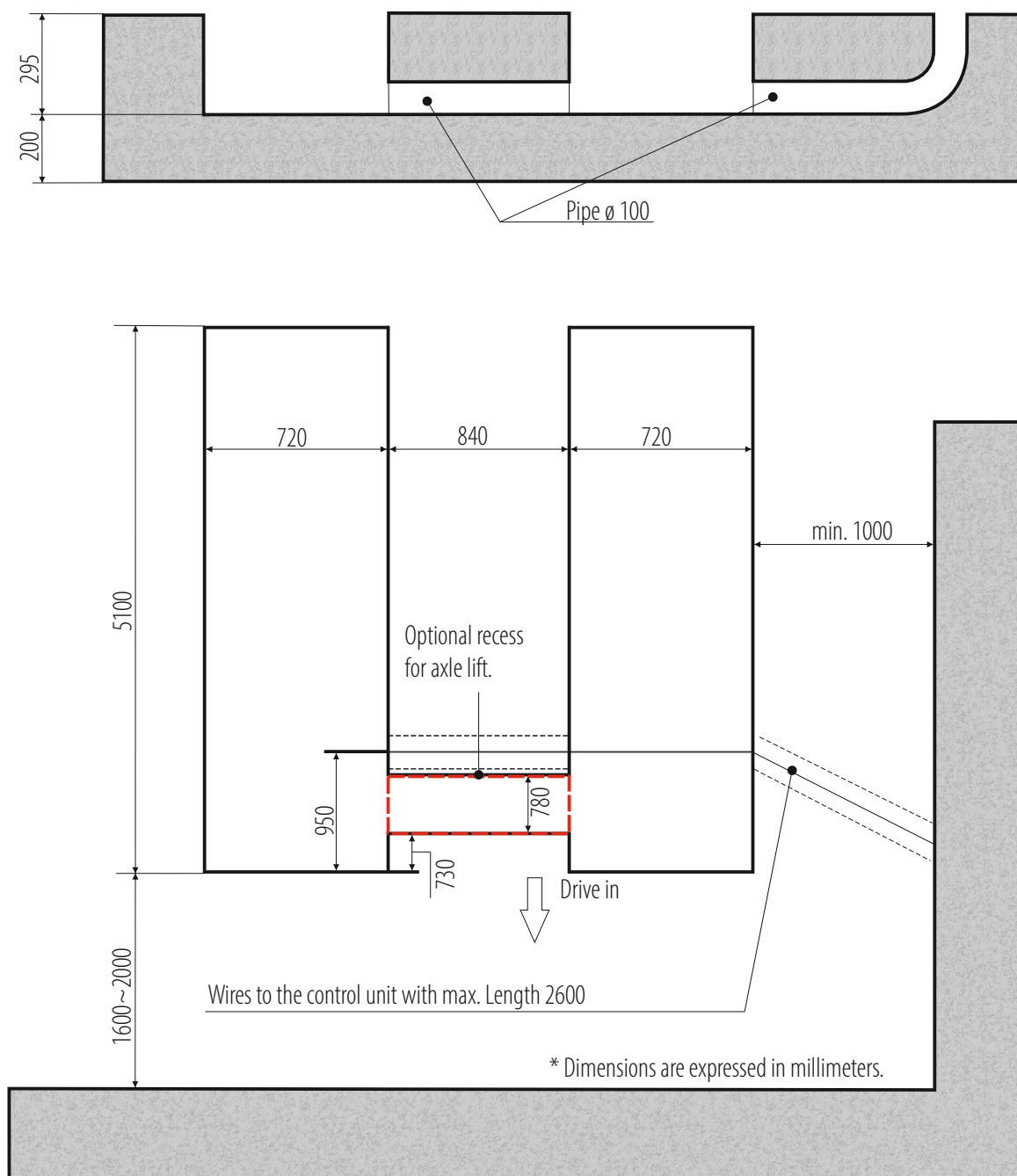
### AXLE JACKS XT250H



Axle jacks with a lifting capacity of 2500 kg ♦ hand lever hydraulic pump ♦ adjustable shoulder spacing  
 ♦ mechanical height lock ♦ points of support with smooth height adjustment.



# PN400GPB



## INSTALLATION REQUIREMENTS:



Concrete class: B25 or C20 / 25 with a minimum mounting area: 5300x2480x200mm ♦ Acceptable floor imbalance: +/- 5mm, floor execution: 3 weeks before assembly ♦ Mounting anchors: mechanical M12 / 150 mm 16 pieces or chemical M16 / 250mm ♦ Hydraulic oil: HL32, 18.0l ♦ Power supply: 5x2.5mm cable to the place of assembly ♦ Pneumatic supply: dry and lubricant air, min. 6 bar (max. 8 bar) ♦ Current protection: min. 32A with 3-phase 400V / 50Hz power supply.

Installation allowed only in closed areas ♦ prohibition of using reinforcement 20 cm from the top thicker than 4mm<sup>2</sup> ♦ assembly for chemical anchors for an additional fee (submit in advance, preferably when setting the date of assembly) ♦ All connections, with particular reference to electrical connections, they must be made by authorized persons ♦ The installation must remain carried out by qualified personnel according to the rules attached in this building plan ♦ In the case of assembly by Nortec or its authorized service center, the lift must be on solid ground.