



YouTube

PK5500

Scan and see more!

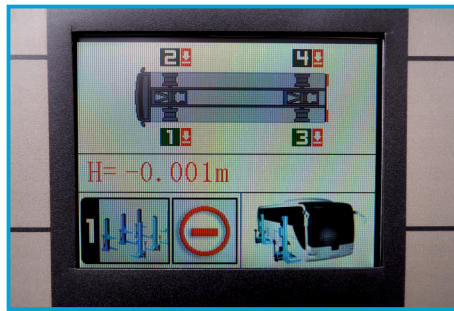


| | |
|-----------------|-----------|
| CAPACITY: | 5500 kg |
| POWER SUPPLY: | 230V/50Hz |
| MOTOR POWER: | 1,5 kW |
| LIFTING HEIGHT: | 1750 mm |
| TOTAL HEIGHT: | 3770 mm |
| OIL PRESSURE: | 23 MPa |
| NOISE LEVEL: | <70 dB |
| WEIGHT: | 480 kg |

Set of 4 columns connected by cable • load capacity 5500 kg • automatic operation from the control box • electronic synchronization • adjustable fork spacing 166 - 550 mm • height lifting 0 - 1750 mm • 230v / 50 Hz power supply 1.5 KW • display LCD



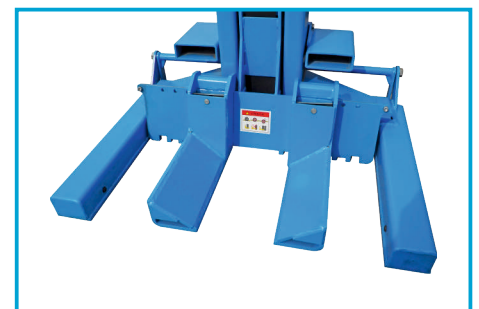
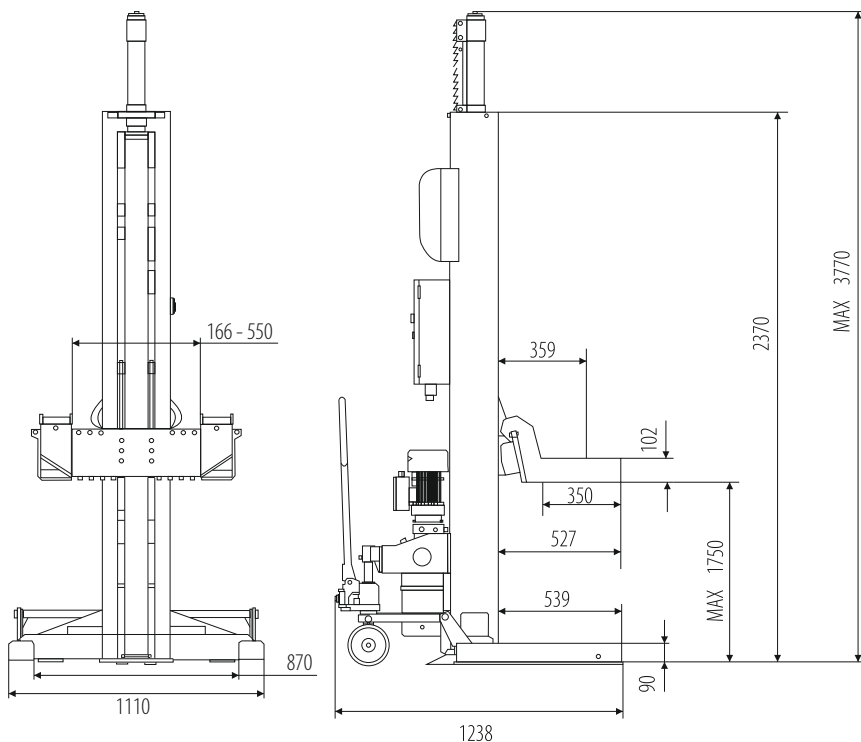
MAIN COLUMN PANEL



MAIN COLUMN DISPLAY



AUXILIARY COLUMN PANEL



ADJUSTABLE FORK SPACING



OPTIONAL FORKLIFT KIT