

TWINLIFT 3.2

MADE IN ITALY



CAPACITY:	3200 kg
POWER SUPPLY:	400V/50Hz
MOTOR POWER:	2,2 kW
LIFTING HEIGHT:	2010 mm
LOWEST HEIGHT :	95 mm
CLEARANCE:	2650 mm
3-STAGE SHORT ARMS :	500-900 mm
2-STAGE LONG ARMS	810-1200 mm
NOISE LEVEL:	<70 dB (A)
WEIGHT:	535 kg

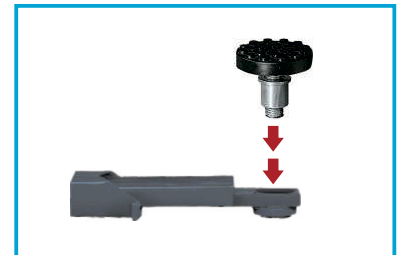
Electromechanical lift with extended arms ♦ Raised motor Thermally protected performance ♦ Telescopic support arms with optimal fulcrum ♦ Support and lock nuts made of bronze ♦ Automatic locking of the arms during lifting ♦ Automatic lubrication system for support nuts ♦ Automatic locking of the arms during lifting ♦ Quick attachment system for adapters auxiliary ♦ Electromechanical synchronization with an accuracy of 20 mm ♦ Devices safety in accordance with the EN1493: 210 standard



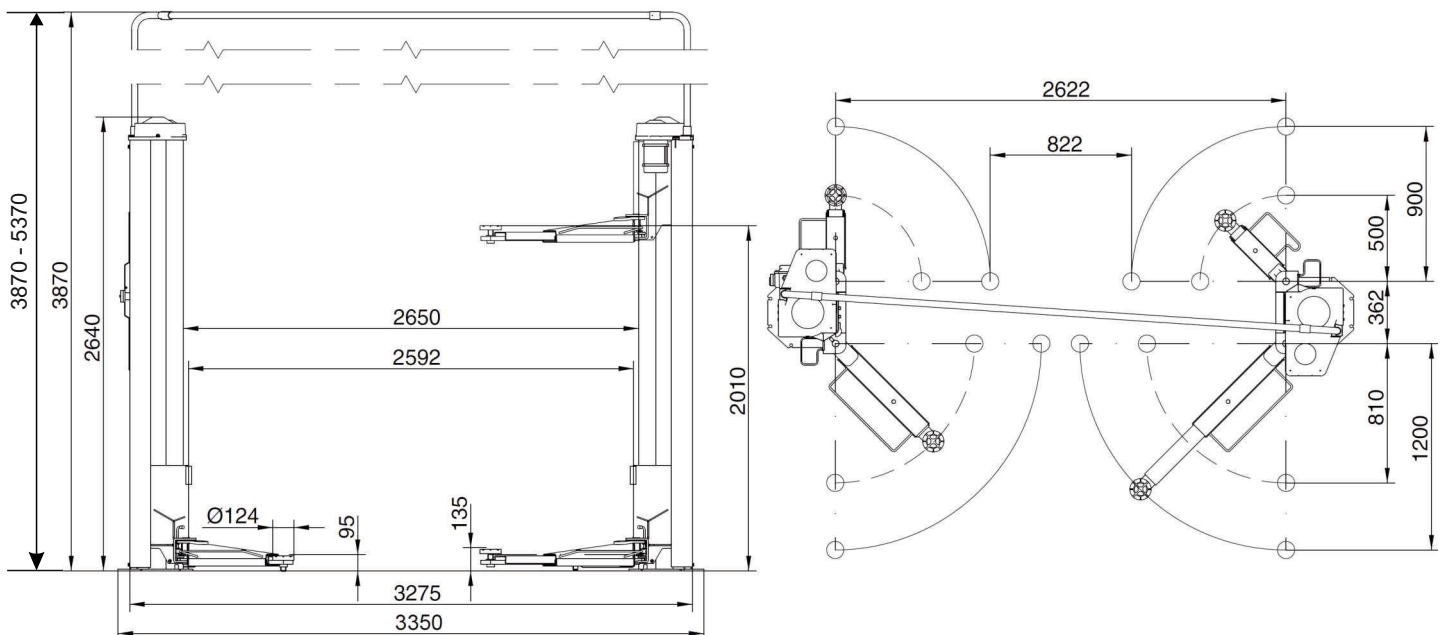
ONE-SWITCH CONTROL



2 AND 3-STAGE ARMS



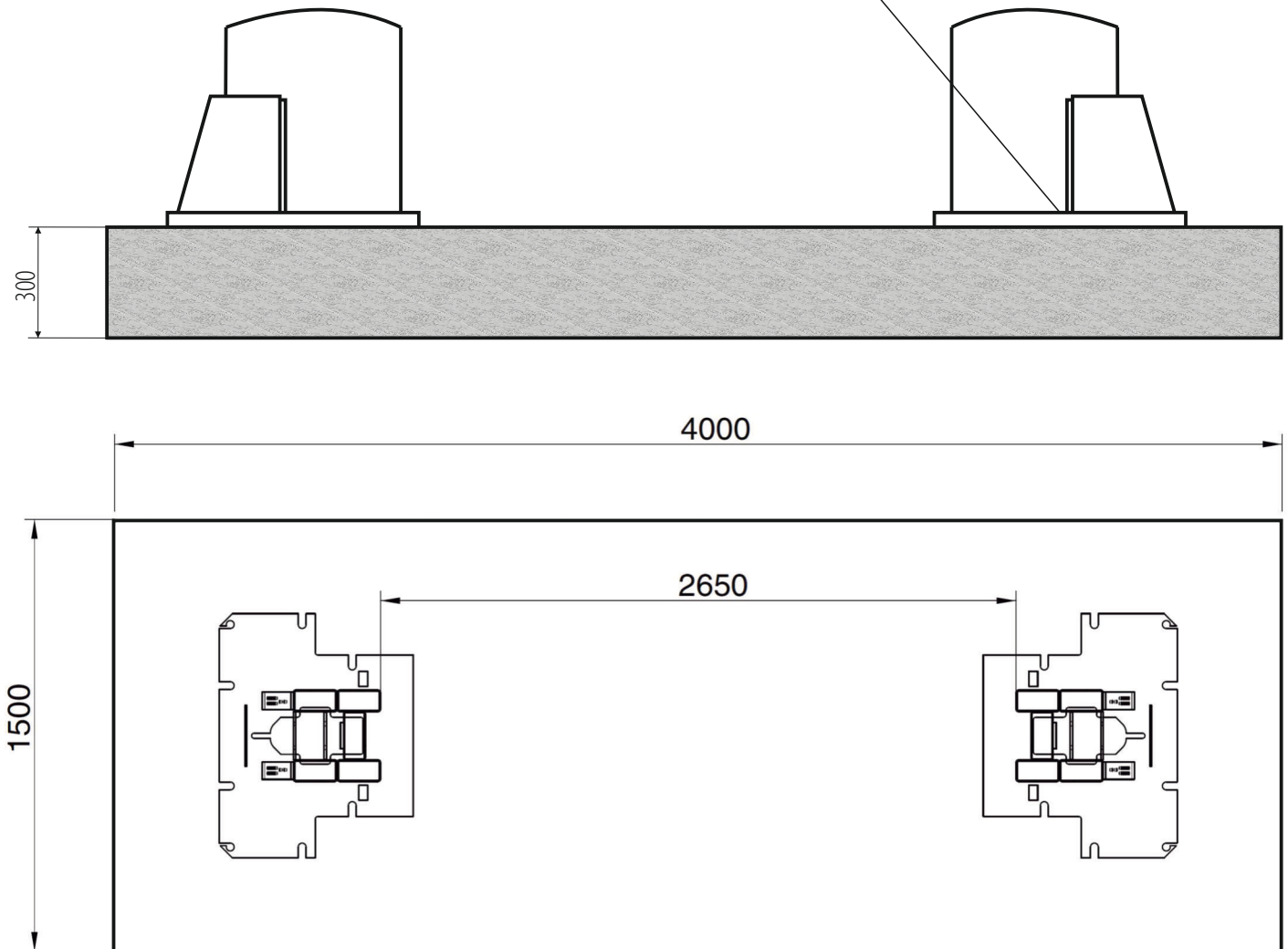
QUICK CHANGE OF ADAPTERS



TWINLIFT 3.2

MADE IN ITALY

Mechanical anchor M10/110 mm



FLOOR DIMENSIONS: 4000x1500mm

INSTALLATION REQUIREMENTS:



Concrete class: B25 or C20 / 25 with a minimum mounting area: 4000x1500x300mm ♦ Acceptable floor imbalance: +/- 5mm, floor execution: 3 weeks before assembly ♦ Mounting anchors: mechanical M10 / 110 mm 16 pieces or chemical M10 / 110mm ♦ Power supply: 5x2.5mm cable to the place of assembly ♦ Current protection: min. 32A with 3-phase 400V / 50Hz power supply.

Installation allowed only in closed areas ♦ prohibition of using reinforcement 20 cm from the top thicker than 4mm² ♦ assembly for chemical anchors for an additional fee (submit in advance, preferably when setting the date of assembly) ♦ All connections, with particular reference to electrical connections, they must be made by authorized persons ♦ The installation must remain carried out by qualified personnel according to the rules attached in this building plan ♦ In the case of assembly by Nortec or its authorized service center, the lift must be on solid ground.