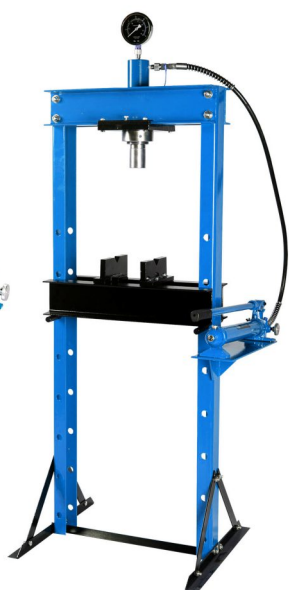


TL-PR10H

FORCE: 10T
 WORKING RANGE: 358 mm
 PITCH OF THE ACTUATOR: 135 mm
 WEIGHT: 51 kg



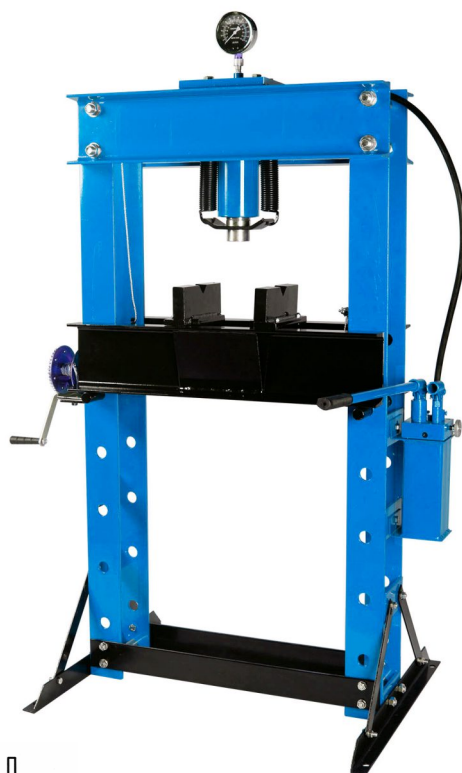
TL-PR20H

SILA: 20 T
 WORKING RANGE: 1035 mm
 PITCH OF THE ACTUATOR: 145 mm
 WEIGHT: 90 kg



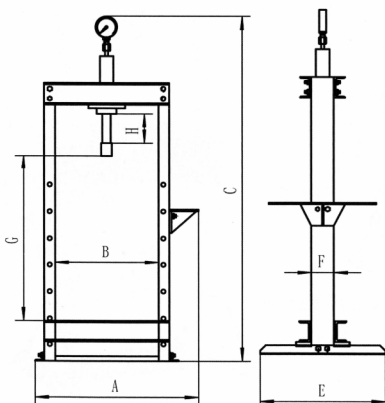
TL-PR30H

FORCE: 30 T
 WORKING RANGE: 820 mm
 PITCH OF THE ACTUATOR: 150 mm
 WEIGHT: 147 kg



TL-PR50H

FORCE: 50 T
 WORKING RANGE: 885 mm
 PITCH OF THE ACTUATOR: 235 mm
 WEIGHT: 224 kg



	TL-PR10H	TL-PR20H	TL-PR30H	TL-PR50H
A	570 mm	780 mm	900 mm	1140mm
B	400 mm	500 mm	530 mm	650 mm
C	1020mm	1860mm	1810mm	1830mm
E	490 mm	600 mm	700 mm	800 mm
F	80 mm	90 mm	160mm	180mm
G max	330 mm	1120mm	980 mm	860 mm
H	135mm	145mm	160mm	230 mm
MPa	62	69	67	77